



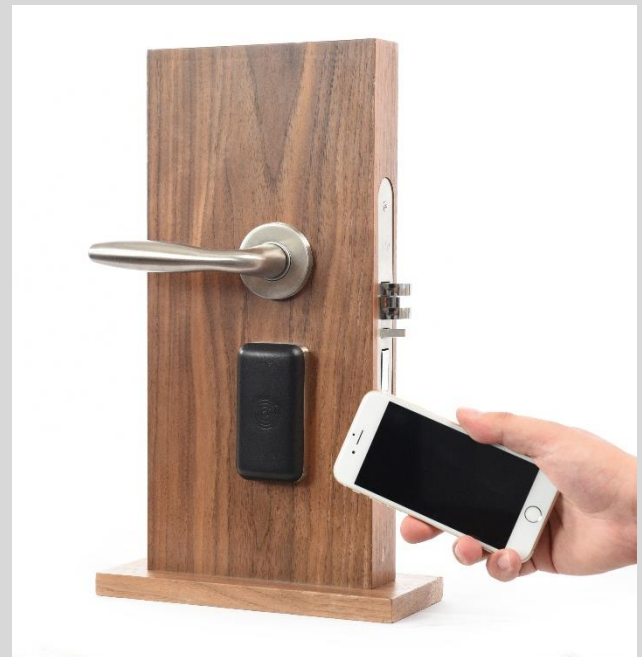
SMF DUO

Smart Mifare Intelligent Lockset

Description:

NSP Europe's DUO range can be personalized to give that unique style that you might be looking for to give a truly minimalistic effect. The lockset design is key to maintaining the style that architects and designers wish to achieve and the DUO can offer both the security, reliability and the extra stylish edge.

The DUO has been designed with the flexibility of a vast range of handles, from the most minimalist, modern buildings where the sleek and slimline design will blend with the door, to the more classic and ornate style of buildings.



Technology

Card Type
Power
Door Types

Mifare Proximity Cards, Fob, Wrist Band open protocol
4 x AA Batteries
Suitable for door thicknesses of 38-52mm
Upgradable for door thickness of 60mm

Design

Battery Indicator
Use
Emergency Open
Finishes
Handle Designs

Audio Beep and Flashing LED
Hotel, Built to Rent, Multifamily, Co-living, PBSA
Mechanical Key Over-ride for every door
Satin/Polished Brass, Satin Chrome & Satin Stainless Steel
Any bolt through handle

Security

Strict User Control
No. of Entries Recorded in Audit Trail
Entry Data Storable & Retrievable
Card Making and Management System
PC requirements
Operating System
User Friendly

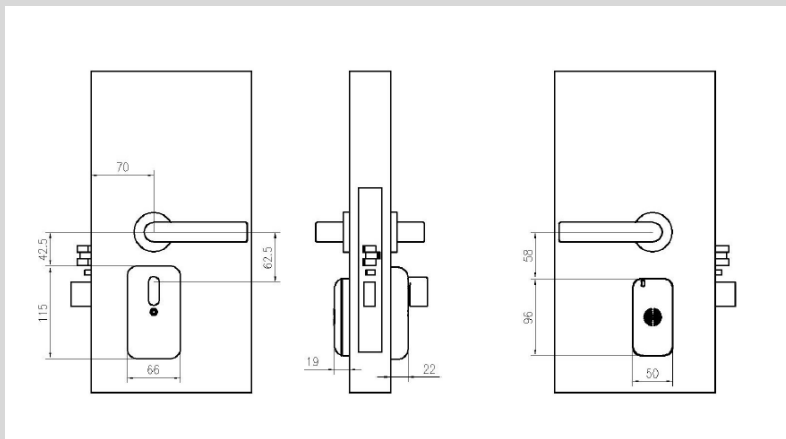
Users Password Protected
800 (including date, time and card type)
Yes
Encoder and head end PC
Windows PC with Intel i3 Processor, 4GB RAM, 320GB HD
Windows 10
Yes

Tel: +44 (0) 208 736 0380

Email: sales@nspsecurity.com

www.nspsecurity.com





Alternative NSP product solutions available



SMF 814



SMF Epic



SMF 614

Tel: +44 (0) 208 736 0380
Email: sales@nspsecurity.com
www.nspsecurity.com

